

RELIABLE, HIGH QUALITY,
LOW VOLTAGE SWITCHGEAR



RED SPOT

DISTRIBUTION FUSEBOARDS



STANDARD DUTY FUSEBOARDS



Updated and re-designed to fully comply with IEC 61439-2:2011, Red Spot 'Standard Duty' Fuseboards are designed for use in heavy commercial and light industrial environments. They feature a removable and reversible chassis mounted interior to facilitate cabling, mounting and reversal of door opening.

Cases and doors are pre-treated to improve corrosion resistance before the application of a heavy-duty paint finish coloured light grey to BS381C shade 631.

Featuring concealed door hinges, the low-profile design of the Standard Duty Fuseboard allows unobtrusive and versatile mounting.

Incoming and outgoing cable terminations are suitable for solid or stranded conductors as detailed on page 6.

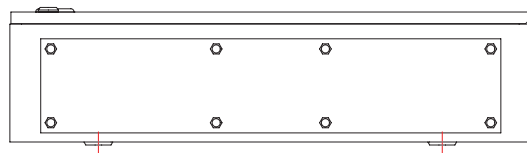
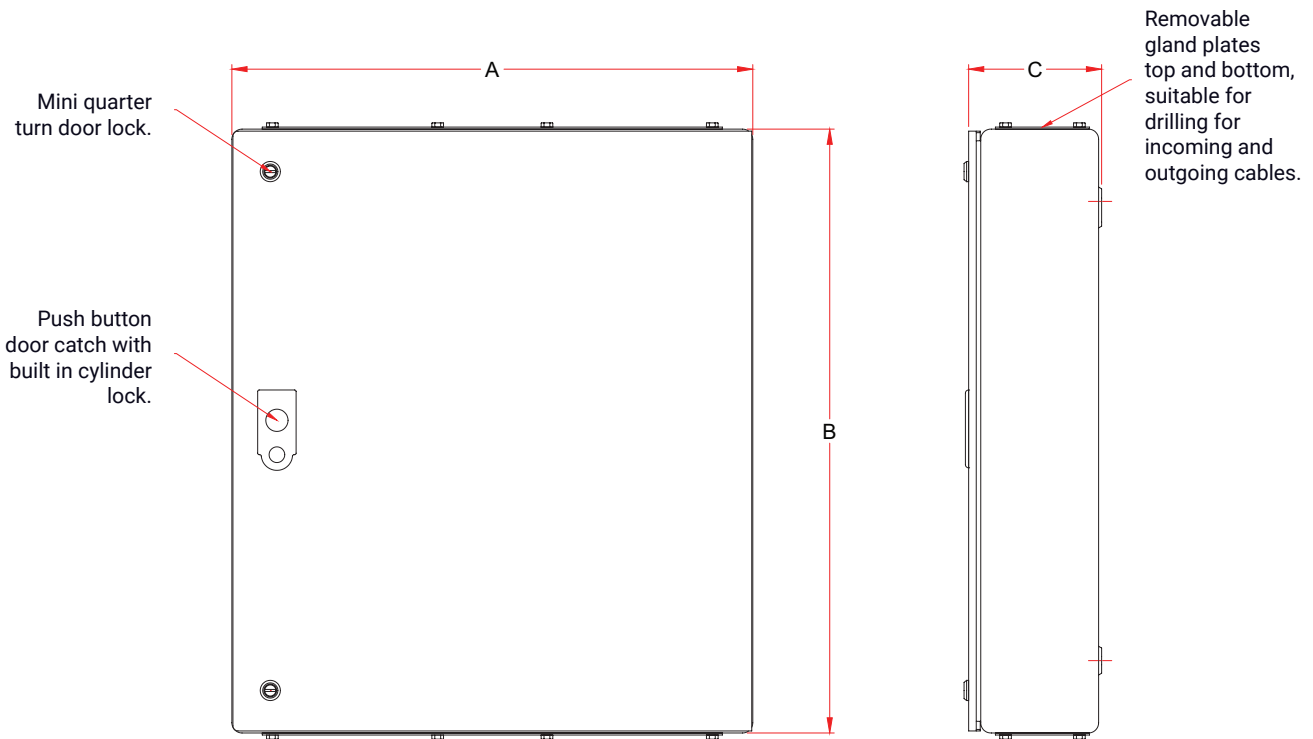
FEATURES

- Fully compliant with IEC/BSEN 61439-2:2011
- Lockable push button cylinder door lock
- Quarter turn locks ensure precise closing
- Concealed hinges with option to reverse mount
- Internal fixing points for wall mounting
- Undrilled, detachable, gasketed gland plates at the top and bottom
- Ingress Protection to IP3X

Rating (A)	No. of Ways	Part Numbers		
		SP & N	DP	TP & N
20	4	RS20SN4/SJ	RS20D4/SJ	RS20TN4/SJ
	6	RS20SN6/SJ	RS20D6/SJ	RS20TN6/SJ
	8	RS20SN8/SJ	RS20D8/SJ	RS20TN8/SJ
	10	RS20SN10/SJ	RS20D10/SJ	RS20TN10/SJ
	12	RS20SN12/SJ	RS20D12/SJ	RS20TN12/SJ
32	4	RS32SN4/SJ	RS32D4/SJ	RS32TN4/SJ
	6	RS32SN6/SJ	RS32D6/SJ	RS32TN6/SJ
	8	RS32SN8/SJ	RS32D8/SJ	RS32TN8/SJ
	12	RS32SN12/SJ	RS32D12/SJ	RS32TN12/SJ
63	4	RS63SN4/SJ	RS63D4/SJ	RS63TN4/SJ
	6	RS63SN6/SJ	RS63D6/SJ	RS63TN6/SJ
	8	RS63SN8/SJ	RS63D8/SJ	RS63TN8/SJ
	12	RS63SN12/SJ	RS63D12/SJ	RS63TN12/SJ
100	4	-	-	RS100TN4/SJ
	6	-	-	RS100TN6/SJ
	8	-	-	RS100TN8/SJ



WEIGHTS & DIMENSIONS



Reversible mounting to permit hinging at left or right.

Rating (A)	No. of Ways	SP & N and DP			TP & N			Approx. Weight (kg)		
		A	B	C	A	B	C	SP & N	DP	TP & N
20	4	343	419	131.5	343	597	131.5	9	10	14
	6							9.5	10.5	15
	8	400			11			12	19.5	
	10	515			13			14.5	22.5	
	12				13.5			16	24	
32	4	406	517	176.5	406	762	176.5	12	15.5	21.5
	6							13.5	17	23
	8	479			16.5			19	27	
	12	625			20.5			26.5	34.5	
63	4	406	517	176.5	406	762	176.5	13.5	17.5	24
	6							16	20	26.5
	8	479			18			20.5	31	
	12	625			20			24.5	41	
100	4	-	-	-	565	1016	227.5	-	-	48
	6				679			-	-	54
	8				-			-	63	

All dimensions are in mm



HEAVY DUTY FUSEBOARDS



Updated and re-designed to fully comply with IEC 61439-2:2011, Red Spot 'Heavy Duty' Fuseboards are fabricated with an exceptionally robust sheet-steel case and are designed to give reliable service under particularly arduous conditions.

Incorporating the same reversible chassis-mounted interior as the Standard Duty model, the Heavy Duty Fuseboards feature an all-welded construction and gasketed joints between the case and the door to prevent the ingress of particulates.

Cases and doors are pre-treated to improve corrosion resistance before the application of a heavy-duty paint finish coloured light grey to BS381C shade 631.

Incoming and outgoing cable terminations are suitable for solid or stranded conductors as detailed on page 6.

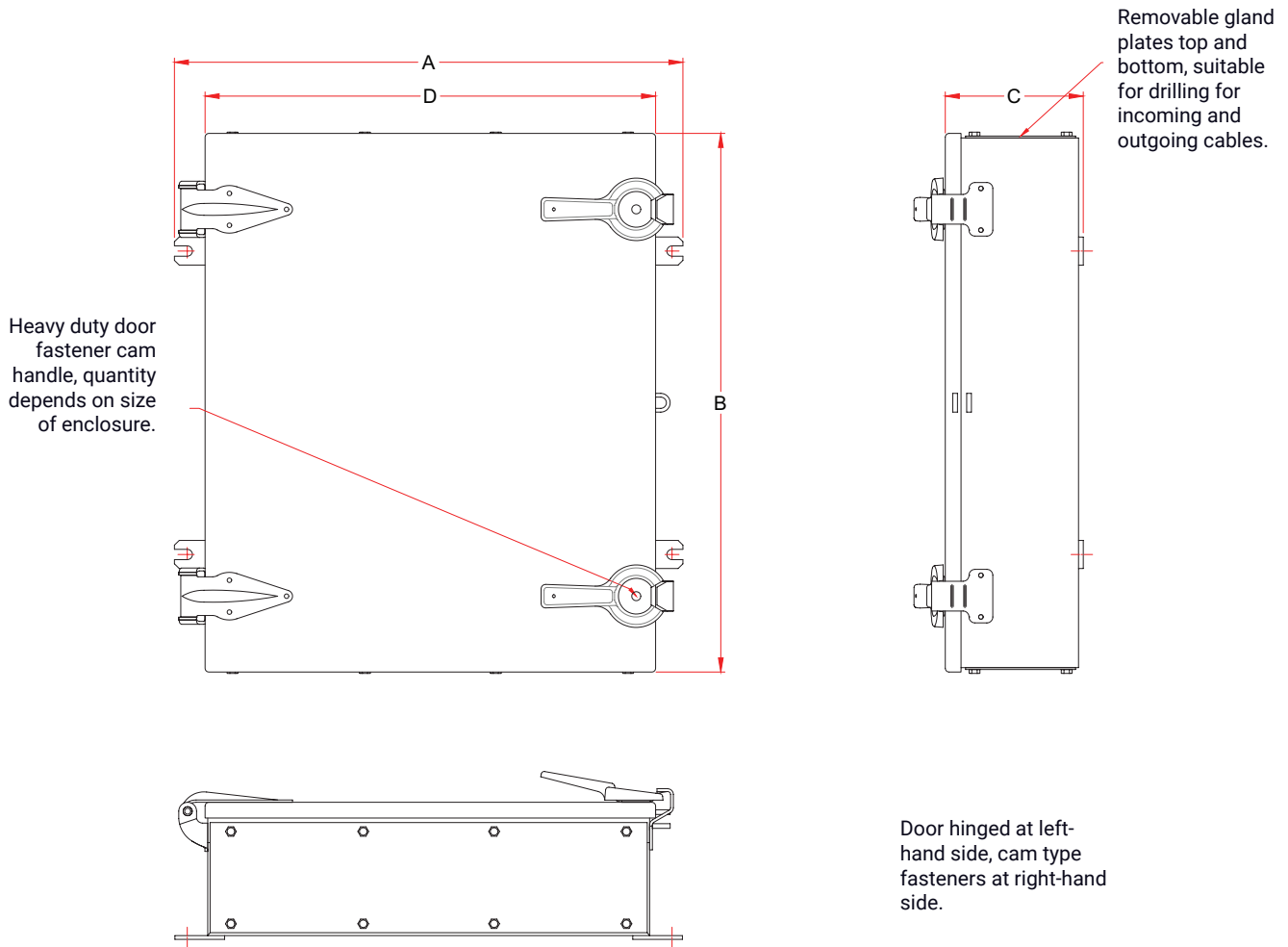
FEATURES

- Fully compliant with IEC/BSEN 61439-2:2011
- Heavy gauge sheet steel construction with all-welded joints
- Cam-type fasteners ensure proper door closure
- **[Optional]** quarter turn locks ensure authorised entry only
- Integrated padlock hasp for complete lockout
- Undrilled, detachable, gasketed gland plates at the top and bottom
- Mounting brackets are provided for external mounting bolts
- Ingress Protection to IP54 (200A - IP41)

Rating (A)	No. of Ways	Part Numbers		
		SP & N	DP	TP & N
20	4	RSHD20SN4/SJ	RSHD20D4/SJ	RSHD20TN4/SJ
	6	RSHD20SN6/SJ	RSHD20D6/SJ	RSHD20TN6/SJ
	8	RSHD20SN8/SJ	RSHD20D8/SJ	RSHD20TN8/SJ
	10	RSHD20SN10/SJ	RSHD20D10/SJ	RSHD20TN10/SJ
	12	RSHD20SN12/SJ	RSHD20D12/SJ	RSHD20TN12/SJ
32	4	RSHD32SN4/SJ	RSHD32D4/SJ	RSHD32TN4/SJ
	6	RSHD32SN6/SJ	RSHD32D6/SJ	RSHD32TN6/SJ
	8	RSHD32SN8/SJ	RSHD32D8/SJ	RSHD32TN8/SJ
	12	RSHD32SN12/SJ	RSHD32D12/SJ	RSHD32TN12/SJ
63	4	RSHD63SN4/SJ	RSHD63D4/SJ	RSHD63TN4/SJ
	6	RSHD63SN6/SJ	RSHD63D6/SJ	RSHD63TN6/SJ
	8	RSHD63SN8/SJ	RSHD63D8/SJ	RSHD63TN8/SJ
	12	RSHD63SN12/SJ	RSHD63D12/SJ	RSHD63TN12/SJ
100	4	-	-	RSHD100TN4/SJ
	6	-	-	RSHD100TN6/SJ
	8	-	-	RSHD100TN8/SJ
200	4	-	-	RSHD200TN4/IP41/SJ
	6	-	-	RSHD200TN6/IP41/SJ



WEIGHTS & DIMENSIONS



Rating (A)	No. of Ways	SP & N and DP				TP & N				Approx. Weight (kg)		
		A	B	C	D	A	B	C	D	SP & N	DP	TP & N
20	4	372	353	148	310	372	575	148	310	12	12.5	18
	6				12.5				13	19		
	8				367				13.5	14.5	22	
	10				481				16.5	18	26	
	12				543				17	18.5	28	
32	4	470	518	184	410	470	747	184	410	20.5	22	31
	6				21.5				23.5	33		
	8				483				23	26	36.5	
	12				594				28	31.5	43.5	
63	4	470	518	184	410	470	747	184	410	22	24	33
	6				23				25.5	35.5		
	8				483				24.5	28	40.5	
	12				594				30	34.5	49.5	
100	4	-				611	1026	246	551	-		60
	6					726			665			65.5
	8											78
200	4	-				648	1232	340	570	-		109
	6					915			837			165

All dimensions are in mm



OPTIONS & ACCESSORIES



INTEGRATED QUARTER TURN LOCKS

Should your Heavy Duty Fuseboard be located in an area accessible to the general public or possible unauthorised access, we are able to fit 5mm Zinc Alloy Die Cast quarter turn locks, that prevent unauthorised access without the need for a padlock.

These locks do not affect the IP integrity of the fuseboard and are fitted without affecting the inner fuseboard arrangements or cabling options.

IP2XN - PERMANENTLY SHROUDED NEUTRAL

Should you require enhanced neutral shrouding, an IP2X neutral can be fitted to replace the standard shrouding.

This ensures that the neutral is always shrouded, even during maintenance inspections.

Available for 20A - 100 A Heavy Duty Fuseboards, in single and triple pole.



LOCAL ISOLATOR

Should you require your incoming circuits to be isolated from the internal fuse banks, we are able to supply an integrated, directly connected isolator to either Standard or Heavy Duty enclosures.

The isolator can be placed at the top or bottom, dependent on your requirements.

The isolator enclosure is gasketed and bolted to the main fuseboard chassis in order to maintain the IP rating.

BNFL SPECIFICATION FUSEBOARD

Red Spot Heavy Duty Fuseboards can be assembled to BNFL design specification, which enhances certain features and does not affect the certification of the fuseboards.

This includes:

- Reinforced fuse holder mounts
- Insulated earth strap
- Increased equipotential bonding



FULLY ISOLATABLE NEUTRAL ASSEMBLY

Should you require your neutral to be safely disconnectable e.g. for maintenance or shutdown purposes, we are able to supply a neutral link fuse bank (shown in white) to replace the standard neutral rail which allows disconnection of the neutral for each outgoing way.

This allows the neutral to be disconnected in the same way as the phase power supply and ensures total isolation of the phase and neutral connections.



FUSE TYPES & CABLE SIZES

CERTIFICATION

Scatco Europa Ltd has fully re-engineered and updated Red Spot Fuseboards to comply with the current standards of IEC/BSEN 61439-2:2011.

This includes a raft of upgrades and improvements over previous models and ensures Red Spot Fuseboards meet the latest standards for safety and quality. Only with these certifications can you ensure that your installation complies with current legislation.

A copy of the certification can be downloaded by scanning the QR code.



Should you have any questions regarding the compliance of Red Spot Fuseboards for your application, please don't hesitate to contact our Engineering Office.

FURTHER INFORMATION

Below are a list of common Fuse Types and Cable Sizes for use within various applications. Please ensure you are using the appropriate Red Spot Fuseboard for your application - if you have any queries regarding your specific requirements, please contact our Engineering Office.

Fuseboard Rating (A)	Fuse Links Accommodated				
	Standard Rating		Extended Motor Starting Rating		
	List No. Prefix Letters	Rating (A)	List No.	Continuous Rating (A)	Motor Starting Rating (A)
20	NIT, NITD	2-20	NIT or NITD20M25	20	25
			NIT or NITD20M32		32
32	TIA, AAO	2-32	TIA or AAO32M35	32	35
			TIA or AAO32M40		40
			TIA or AAO32M50		50
			TIA or AAO32M63		63
63	TIA, AAO	2-32	TIS or BAO63M80	63	80
	TIS, BAO	35-63	TIS or BAO63M100		100
100	*TIA, AAO	2-32	TCP or CEO100M160	100	160
	*TIS, BAO	35-63			TCP or CEO100M200
	TCP, CEO	80-100			
200	TBC	2-63	TF or DD200M250	200	250
	AD	2-32			
	BD	40-63			
	TC, CD	80-100			
	TF, DD	125-200			

*A pair of adaptor plates List No. P5372-10 are required to accommodate these fuse links in the 100A fuse holder.

The fuse link installer must verify that the specific fuse link voltage rating is compatible with the supply voltage rating.

Fuseboard Rating (A)	No. of Ways	Incoming Cabling		Outgoing Cabling	
		Max. Cable Size Accomodated (mm ²)		Max. Cable Size Accomodated (mm ²)	
		Phase	Neutral	Phase	Neutral
20	4, 6, 8, 10 & 12	95	95	10	16
32	4, 6, 8 & 12	300	300	16	25
63	4, 6, 8 & 12	300	300	50	25
100	4, 6 & 8	400	400	70	70
200	4	500	500	120	120
	6	2 x 300	2 x 500		

CONTACT

SCATCO EUROPA LTD

Lowfields Road, Leeds, LS12 6BS



Telephone

0113 243 5155



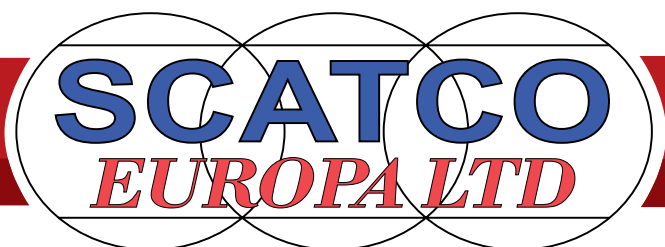
Email

sales@scatco.co.uk



Certificate Number 8547

www.scatco.co.uk



RELIABLE, HIGH QUALITY,
LOW VOLTAGE SWITCHGEAR